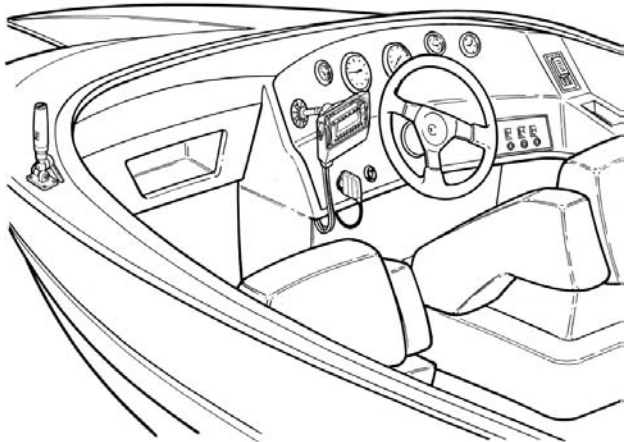


DELPHI



# Delphi XM<sup>®</sup> SKYFi<sup>™</sup> Marine Kit Installation Guide

## Contents:

Delphi XM SKYFi Marine Kit components . . . .	2
XM Marine Antenna installation . . . . .	4
XM Universal Audio Adaptor installation . . . . .	8
Hooking up the cradle . . . . .	10
Marine Mount installation . . . . .	12



**Warning:** This manual and the SKYFi Operating Guide contain important safety and operating information. Please read and follow the instructions in these manuals. Failure to do so could result in personal injury, death, and/or damage to your SKYFi Receiver and/or to your boat or other property.



## Delphi XM SKYFi Marine Kit Set-up

The Delphi XM SKYFi Marine Kit is designed for XM radio reception on recreational marine craft such as fishing boats, sport boats, yachts, and sailboats. Your Delphi XM SKYFi Marine Kit contains the following components:



**Cradle**



**Marine mount with 1-1/2" extension, flexible adhesive mounting pad, and solid mounting plate**



**XM Marine Antenna with 20' coaxial antenna cable**



**Splash-proof case with rubber gasket**




**XM Universal Audio Adaptor**

**For use when mounting the ball-joint mounting bracket, your kit also includes:**

- Extra Adhesive Pad
- Surface Preparation Cleaning Kit
- Alcohol Prep Pad
- Two 5/8" rubber sealing bands

**Caution:** The Delphi XM SKYFi Marine Kit is splash-resistant, NOT waterproof. The Delphi XM SKYFi Marine Kit is not intended for use on personal watercraft (i.e., Jetskis and similar). Doing so will void your warranty.

**Caution:** Connect only appropriate input devices to the cradle jacks. Connecting an incorrect input device may damage the system and/or the external electronic device. It is recommended that you use only the D/C power adaptor that came with your Delphi XM SKYFi Marine Kit. If you need to use a different adaptor, it must be a 6V, 1000mA DC adaptor and must contain a unified polarity-type jack, identified by the  symbol.

### Before You Begin

Please read all instructions thoroughly before installing your Delphi XM SKYFi Marine Kit.

**Note: See SKYFi Operating Guide for important user information.**

Figure 1. Delphi XM SKYFi Marine Kit components

## Hooking Up The Cradle For SkyFi Receiver

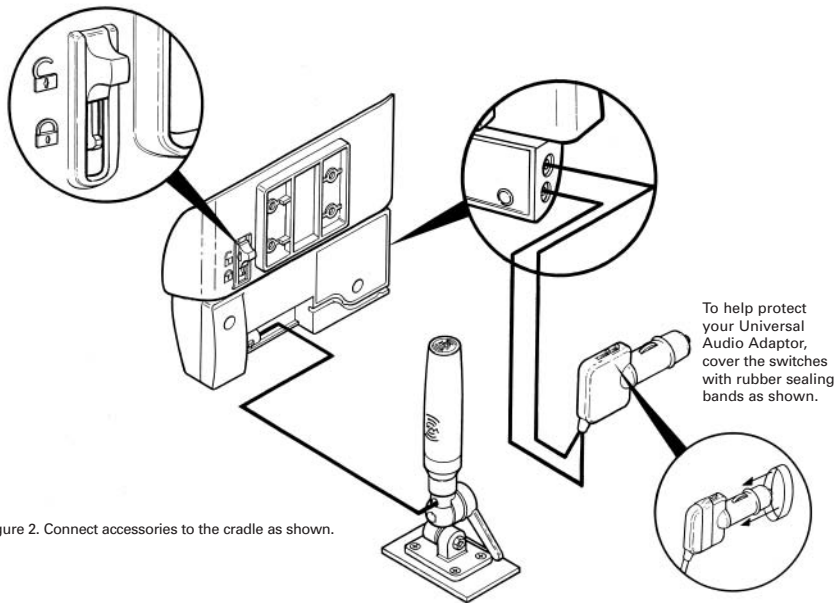


Figure 2. Connect accessories to the cradle as shown.

## XM Marine Antenna Installation

The XM Marine Antenna is easy to install on most boats using the following steps:

**Caution:** Installation of the XM Marine Antenna may require special tools as well as knowledge of marine mechanical procedures. If you are not comfortable with or are unsure of these procedures, please seek the services of a professional.

### Pre-installation signal check

- Before starting, make sure SKYFi is not docked in its cradle.
  - Firmly push the end of the antenna cable into the corresponding color-coded (pink) connector on the cradle. **Note:** Before permanently installing your antenna cable, you will need to attach the pink connecting shroud to the end of the cable. See figure 7 on page 7 for more information.
  - Temporarily mount the antenna (see figures 3 and 4 for suggested locations).
  - Re-dock SKYFi in its cradle. With power connected, check to see if you are receiving a signal and that no error messages are displayed.
- If you do not receive a signal or the display reads “NO SIGNAL,” it may be because you are in an area where the signal is blocked, i.e. by a bridge. Move the boat to another location, or try a different mounting location for the antenna.
  - If you are receiving an “ANTENNA” error message, do the following:
    1. Turn SKYFi off, wait 10 seconds, then turn it back on.
    2. Recheck the antenna connection.
    3. Inspect the cable to ensure it is not crimped, cut, or otherwise damaged.
    4. If these actions do not have any effect, please contact your retailer.



Figure 3. The antenna can be installed on a fly bridge or electronics arch on powerboats.

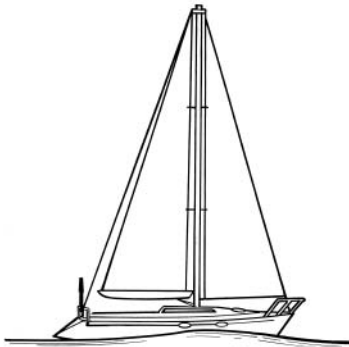


Figure 4. The antenna can be installed on the stern of a sailboat.

**Note:** When mounted in this configuration on a sailboat, the mast and sails may interfere with reception when the craft is at certain angles to the satellite.

**Caution:** Do not cut the antenna cable and attempt to splice it or attach alternative connectors or cable. The cable and connectors used in your Delphi XM SKYFi Marine Kit are specially chosen and attached at the factory to ensure they will work with XM's unique frequency band. Failure to do so could damage the unit. Coil and secure any excess cable.

**Caution:** Refrain from using food or drinks near the SKYFi Receiver. Spilling food or drinks into the unit could damage it.

### Positioning and pre-application

- Select a location that is not enclosed or surrounded by metal that may interfere with reception. If placing the antenna on a metal fly bridge, make sure the antenna protrudes at least 5" above the bridge's top edge. Antenna extensions are available to increase the height above the boat. (e.g. Shakespeare 5228-4. Several lengths are available from multiple suppliers, including Boaters World and West Marine.)
- The antenna should be placed in a location with at least a 20-degree clearance from any metallic obstruction on all sides. (See figure 5.)
- Once you have a desired antenna location, plan how to route the antenna cable from this location to the receiver, avoiding blocked passages and any obstructions that could kink, crimp, twist, or chafe the cable.

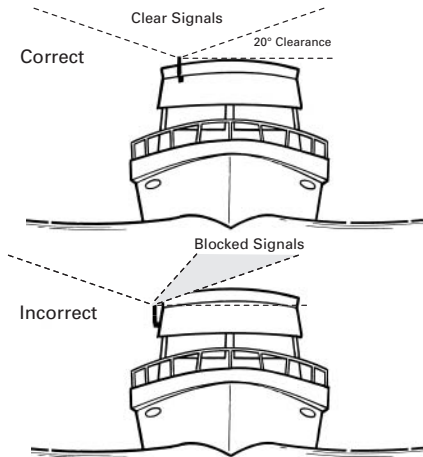


Figure 5. Correct and incorrect locations to mount the antenna.

### Final installation

1. Turn off all audio systems and other electrical devices. Disconnect the (-) negative lead from the boat's battery.
2. Verify that the antenna is in its final desired location.
3. Install the mounting bracket as shown in figure 6. First, hold the bracket in the desired position and mark the holes for drilling.
4. Drill 7/64" starter holes. Applying masking tape over the area to be drilled will help reduce splintering of the gelcoat and fiberglass.
5. Secure the bracket with the four stainless screws provided.
6. To provide a finished look, apply a small bead of white silicone around the bracket's bottom edge.

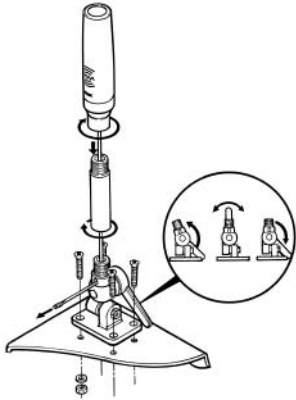


Figure 6. Installing the antenna.

**Note:** Your antenna is equipped with an adjustable ratchet tilt. The angle may be adjusted to improve reception, or folded out of the way when not in use.

7. Route the antenna cable through the antenna extension (if used) and out through the access hole on the side of the mounting bracket. If an antenna extension is not used, firmly tighten the antenna directly to the bracket by screwing it on. If an extension is used, tighten the antenna to the extension, and the extension to the bracket.
8. Begin routing the cable from the antenna toward the receiver location, using existing holes in the boat's hull, along or behind interior walls below deck, or through a

**Warning:** Take note of all fuel lines, cables, and electrical wiring near where you are installing the antenna to avoid damaging these lines and wiring and to avoid the risk of injury and or property damage. Use extreme caution when cutting or drilling around these areas. Always wear protective eyewear when using tools.

cabin window opening. Drill new holes as necessary.

9. When you reach the receiver location, follow these steps to attach the antenna cable:
  - Attach the pink connecting shroud as shown in figure 7.
  - Verify that the connector is clear of obstructions and that the cable is not kinked, crimped, or chafed.
  - Gently push the connecting shroud over the pink lead on the cradle until it locks in place.

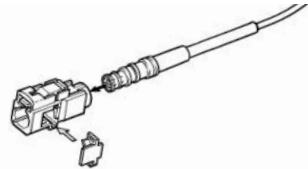


Figure 7. Attaching the connecting shroud to the antenna cable.

## XM Universal Audio Adaptor (FM Modulator) Installation

You can listen to XM Satellite Radio directly through your FM radio using the XM Universal Audio Adaptor. To install the adaptor, follow the steps below. (See figure 2 on page 3.)

1. Insert the adaptor into a cigarette lighter or 12V power outlet. **Note:** A red indicator light on the adaptor signals that it is receiving 12V power and will remain on during normal operation.
2. Insert the right-angle power connector at the end of the XM Universal Audio Adaptor cable into the SKYFi marine cradle input labeled "6V."

3. Insert the right-angle audio connector at the end of the XM Universal Audio Adaptor cable into the plug on the SKYFi marine cradle labeled "Line Out."

### Configuring the Adaptor

The XM Universal Audio Adaptor works by changing the XM Satellite Radio audio output to an FM signal that can be received by your FM radio. You may experience some interference if a local FM station is broadcasting at the same frequency, so for the best performance it is important to pick an open frequency using the following steps:

1. Tune your radio to each of the following FM frequencies and note which one does NOT have a current FM station on it and has the least amount of bleed over from a nearby station and then tune your radio to that frequency.

88.1	88.3	88.5	88.7
107.1	107.3	107.5	107.7

**Note:** When in highly populated metro areas with a large number of FM stations, you may have difficulty finding an available FM frequency. When moving to a new location, you may have to select a new open frequency.

2. Set the frequency you selected on the XM Universal Adaptor using the two switches on the top edge of the adaptor. First use the switch labeled "88 107" to select either the high band (107.xMHz) or the low band (88.xMHz). Next use the other switch to set the exact frequency setting: xxx.1MHz, xxx.3MHz, xxx.5MHz, or xxx.7MHz. **Note:** The radio frequency must always be set to the same value as the XM Universal Audio Adaptor frequency to hear the XM programming.

**Note:** Help protect your Universal Audio Adaptor by covering the switches with the two rubber sealing bands supplied with your Delphi XM SKYFi Marine Kit. See figure 2 on page 3.

### **Auto-On/Auto-Off Feature**

The XM Universal Audio Adaptor will automatically switch on when your SKYFi Receiver is turned on. (There may be a 10-15 second delay between turning the SKYFi Receiver on and the Audio Adaptor green light being displayed.) The adaptor will also switch off when your SKYFi Receiver is turned off. **Note:** A green indicator light on the adaptor is visible as long as there is an XM Satellite Radio signal available from the receiver. There may be situations under normal use where the green indicator light remains on for a short period of time (up to a minute) after the receiver is switched off.

## Inserting Marine Cradle in Splash-proof Case

Your Delphi XM SKYFi Marine Kit includes a splash-proof case designed to help protect your SKYFi Receiver from water damage. The cradle can be installed in the case as follows:

1. First, attach all of the components as shown in figure 8. Put your SKYFi Receiver into the cradle and verify that the system is working. Disassemble the system and proceed with step 2. When removing the antenna connector, be sure to push down on the tab and pull on the plastic connector directly (do NOT pull on cable or you may damage it).

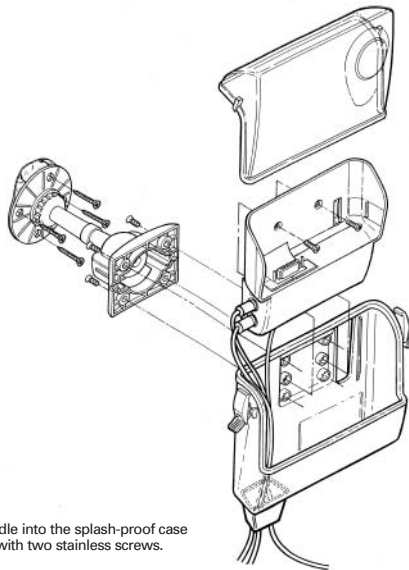


Figure 8. Insert the cradle into the splash-proof case as shown and secure with two stainless screws.

2. Thread the component cables through the hole in the bottom of the splash-proof case, and reconnect them to the cradle as shown in figure 2 on page 3.
3. Being careful to situate the cables at the bottom of the splash-proof case, align the raised square on the back of the cradle with the recessed square in the splash-proof case and gently snap into position.
4. Using the two enclosed stainless screws, screw the cradle to the splash-proof case.
5. The top half of the splash-proof case may be placed on top of the lower half, making sure the rubber gasket completes a seal. Snap the two clamps (one on each side) into place to secure your splash-proof case.



**Warning:** The Delphi XM SKYFi Marine Kit case is splash-proof, NOT waterproof. Do not submerge the case containing your SKYFi Receiver. Doing so could result in personal injury, and/or damage to your SKYFi Receiver. The cover needs to be completely closed and the latches should be locked in order for the case to be splash-proof.

**Note:** To operate your SKYFi Receiver when installed in the splash-proof case, either remove the clear top cover momentarily, or use the remote control.

## Marine Mount Installation

Your Delphi XM SKYFi Marine Kit comes with a marine ball-joint mount that can be installed as follows:

1. Attach the splash-proof case to the ball-joint mount. Use the four stainless machine screws provided to attach the mount to the back of the splash-proof case (see figure 8).
2. Identify a hard, flat-as-possible surface to allow the optimum viewing position for the primary user while avoiding areas that could be easily bumped into by passengers. This position should be chosen to minimize glare or direct sunlight on the display. Do not install the ball-joint mount where it could block your vision

or access to controls. Do not install the ball-joint mount on a leather surface. Also be sure to identify access routes for the cables, XM Universal Audio Adaptor access, and antenna cable.

The marine ball-joint mount can be mounted in one of two ways: it may be screwed in place using the solid mounting plate or it can be attached with the adhesive pad. Decide which method is appropriate, and follow the instructions on page 13. See figure 9.



**Warning:** Take note of all fuel lines, cables, and electrical wiring near where you are installing the antenna to avoid damaging these lines and wiring and to avoid the risk of injury and or property damage. Use extreme caution when cutting or drilling around these areas. Always wear protective eyewear when using tools.



Figure 9. Install the mount to a flat surface using either the adhesive pad or screw mount.

**Note:** Extension piece may be removed, creating additional mounting location options. A shorter screw is provided if you wish to attach your mount without the extension piece.

### Screw Mount (recommended)

1. After selecting the mounting location, hold the solid mounting plate in the desired position and mark the holes for drilling.
2. Drill 7/64" starter holes. Applying masking tape over the area to be drilled will help reduce splintering of the gelcoat and fiberglass.
3. Secure base of mount with the stainless screws provided.
4. To provide a finished look, apply a small bead of white silicone around the base.

**Caution:** Be sure to route the antenna cable and modulator cords away from controls so they will not interfere with your ability to control the boat. Failure to do so may compromise operation of the boat resulting in personal injury, death, and/or property damage.

### Adhesive Mount (optional)

**Note:** The adhesive used on the mounting pad is not easily repositioned when installed, so please use care when choosing the location and placing the mount.

1. Clean the mounting surface with the enclosed Surface Preparation Cleaning Kit. Wipe with the towelette in only one direction. Do not wipe the surface in a circular motion or back and forth. Dry area with a clean, dry cloth, wiping in the same direction and then repeat this cleaning process. Allow to air dry thoroughly.
2. Clean the same surface with the enclosed Alcohol Prep Pad. Wipe in the same direction and manner as with the towelette. Dry the area with a clean, dry cloth, wiping in one direction. Allow to air dry thoroughly. Ensure that the surface is at least 60°F.

3. If necessary, warm the ball-joint mount's adhesive pad by using a hair dryer or similar means. Remove the liner from the adhesive pad and adhere to the selected surface. Make sure you accurately place the pad on the first try since in many cases it will bond almost immediately. 3M recommends a 72-hour curing time for maximum adhesion before attaching a load (e.g., Delphi XM SKYFi Marine Kit) to the mount.

**Note:** You can also mount the splash-proof case directly to a flat surface using the enclosed extra adhesive pad. Follow these mounting directions, making sure you adhere the correct side of the case.



**Caution:** Never use a commercial heat gun or paint-stripping gun. This could result in damage to the unit and/or to your boat.

4. You can remove a mount attached with an adhesive pad by taking the following steps:
- Lift one edge of the adhesive pad gently with fingers or the rounded edge of a spoon. Once enough of the edge is loosened to grip with your fingers, pull the pad gently from the mounting surface at a 90-degree angle. Avoid using sharp tools that could damage the surface.
  - If the pad fails to loosen, warm it with a hair dryer for 2-3 minutes to soften the adhesive. Be careful not to apply too much heat, which could damage the mounting surface.
  - If any adhesive remains on the surface, it can easily be removed by rubbing your thumb or finger across it.

**Caution:** The Delphi Marine Kit is splash-resistant, NOT waterproof. The Delphi XM SKYFi Marine Kit is not intended for use on personal watercraft (i.e., Jetskis and similar). Doing so will void your warranty.

## Delphi XM SKYFi Marine Kit Limited Consumer Warranty

Delphi Product and Service Solutions (“Delphi”) warrants all Delphi XM SKYFi Marine Kit Products sold by Delphi (“Products”) to be free of defects in material and workmanship, subject to the following conditions.

The duration of Delphi’s warranty with respect to Delphi XM SKYFi Marine Kit Products is limited to one (1) year from the date of sale to the original consumer purchaser.

**No other express warranties are made with respect to any Product. All implied warranties, including warranties of merchantability and fitness for a particular purpose are limited to the warranty period set forth above. This warranty is not transferable and applies only to the original consumer purchaser of the Product.**

Delphi will, as its sole obligation under this warranty, replace or repair, at its option, any Product that does not conform to this warranty. Products may be repaired or replaced with new or with refurbished items. This limited warranty does not cover defects in appearance,

cosmetic, or decorative items, including any non-operative parts. Under no circumstances will Delphi be liable for any incidental or consequential damages under this warranty or any implied warranties. These remedies are the customer's exclusive remedies for breach of warranty. This limited warranty only extends to customers who purchase the Products in the United States.

Delphi will not be responsible for damage resulting from any (i) deviation from Delphi's operating instructions as printed in Delphi's catalog or on any packaging, labels, or other literature provided with a Product, (ii) installation of a Product in a manner which is inconsistent with Delphi's written instructions, (iii) alteration or modification of a Product, (iv) misuse, (v) neglect, (vi) abuse, (vii) accident, (viii) normal wear and tear, (ix) commercial use, (x) improper storage, (xi) excessive temperature, (xii) service by anyone other than a Delphi authorized repair facility, (xiii) other improper application, installation or operation of the Product, or (xiv) defects or malfunctions of which Delphi is not advised within ten (10) days of the expiration of the limited warranty period.

**How you (the Customer) can get service:**

To obtain warranty service during the first thirty (30) days after the date of purchase, you must return the defective Product with the original receipt to the original place of purchase. To obtain warranty service during the remainder of the warranty period, you must contact Delphi by phone at 1.877.GO DELPHI or by fax at 1.866.790.3675. When contacting Delphi by fax, please include a letter detailing your complaint and provide a daytime phone number where you may be reached. If further clarification or additional information is required from Delphi, you may call Delphi at 1.877.GO DELPHI (1.877.463.3574).

**If warranty service is needed at any time during the warranty period, the purchaser will be required to furnish a sales receipt/proof of purchase indicating the date of purchase, amount paid and place of purchase. Customers who fail to provide such proof of purchase will be charged for the repair/replacement of any Product.**

**How state law relates to the warranty:**

Some states do not allow limitations on how long implied warranties last, or the exclusion or the limitation of incidental or consequential damages. So the above limitations or exclusions may not apply to you. This warranty gives you specific legal rights. You may also have other rights that may vary from state to state.

***NO PERSON IS AUTHORIZED BY DELPHI TO MODIFY OR ADD TO THIS LIMITED WARRANTY.***

To purchase accessories for your Delphi satellite radio, visit <http://www.shopdelphi.com>.

**DELPHI**

Delphi Corporation  
1441 West Long Lake Road  
Troy, Michigan 48098-5090  
U.S.A.  
Customer Service: [1] 877.GO DELPHI

[www.delphi.com](http://www.delphi.com)

**This device complies with part 15 of the FCC Rules. Operation is subject to the following two conditions: (1) This device may not cause harmful interference, and (2) this device must accept any interference received, including interference that may cause undesired operation.**

**Changes or modifications not expressly approved by Delphi could void the user's authority to operate this equipment.**

The SKYFi name, XM name, and related logos are trademarks of XM Satellite Radio Inc.